

MINKA.AT



STAIRS CATALOG

Minka knows how to build stairs



SPACE SAVING STAIRS — SPIRAL STAIRS — OUTDOOR STAIRS
LOFT LADDERS — CHILD SAFETY GATES



INTRODUCTION

By the experience, gained in more than 60 years, MINKA became one of the leading brands on loft ladder world market.

MINKA loft ladders and staircases are designed, developed and produced in Austria.

Our 130 employees produce about 120.000 loft ladders and 30.000 system stairs per year at two locations in the province of Styria, with a total manufacturing area of 40.000 m².

BENEFIT FROM OUR EXPERIENCE

We are present at the main world markets in Europe but also in North America, Asia (China, Korea), Australia and New Zealand. MINKA products are characterized by highest quality and safety standards, durability and functionality.

All MINKA loft ladders are produced and proofed according to the standards of DIN EN 14975.

The production of MINKA is certified EN ISO 9001:2008, EN ISO 14001:2004 and OHSAS 18001:2007.

BECOME A PARTNER OF **MINKA**

CLASSIC

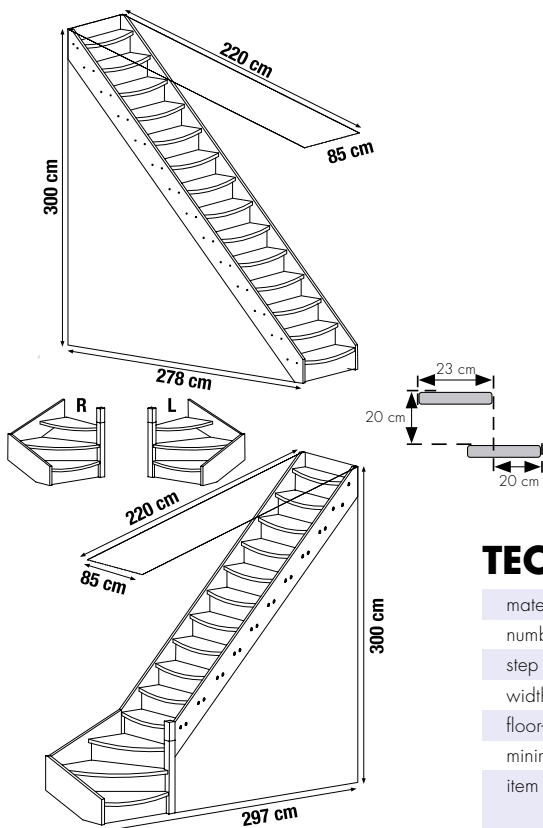
Stringer stair in massive spruce or beech

ADVANTAGES

- beech or spruce nature leave (not varnished)
- soft-design steps
- 30 mm strong massive wood
- easy high adjustment (cutting of stringers)
- with or without banister available
- straight, 1/4-turned left or right

OPTIONS

- massive wood banister
- wood / steel banister
- massive wood balustrade banister
- wood / steel balustrade banister



TECHNICAL DESCRIPTION

material	massive beech or massive spruce		
number of steps	14		
step width	78 cm		
width of staircase	85 cm		
floor-to-floor-height	Max. 300 cm		
minimum opening size	220 x 85 cm (at ceiling height 30 cm)		
item number	straight	spruce 29605	beech 29505
	¼ turn left	spruce 29606	beech 29506
	¼ turn right	spruce 29607	beech 29507

HOME

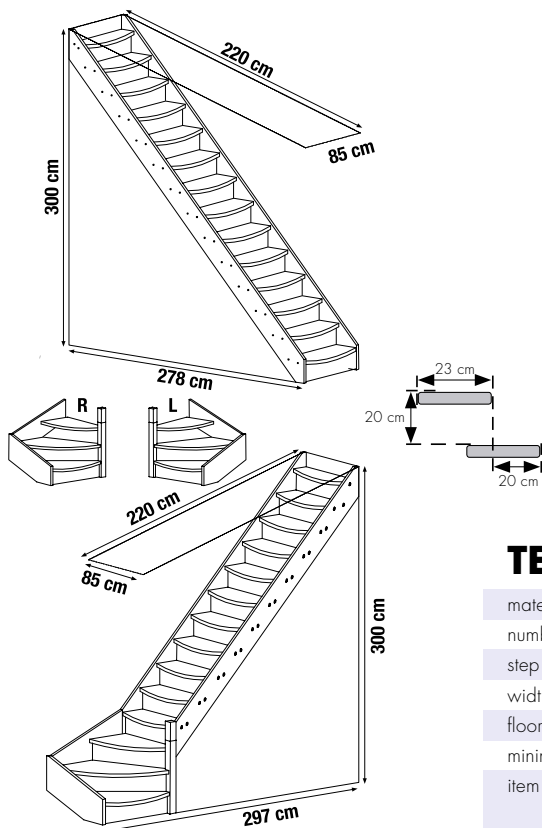
Stringer stair with risers
in massive spruce or beech

ADVANTAGES

- beech or spruce nature leave (not varnished)
- Soft-design steps with risers
- 30 mm strong massive wood
- easy high adjustment (cutting of stringers)
- with or without banister available
- straight, 1/4-turned left or right

OPTIONS

- massive wood banister
- wood / steel banister
- massive wood balustrade banister
- wood / steel balustrade banister



TECHNICAL DESCRIPTION

material	massive beech or massive spruce		
number of steps	14		
step width	78 cm		
width of staircase	85 cm		
floor-to-floor-height	Max. 300 cm		
minimum opening size	220 x 85 cm (at ceiling height 30 cm)		
item number	straight	spruce 29615	beech 29515
	¼ turn left	spruce 29616	beech 29516
	¼ turn right	spruce 29617	beech 29517

COMFORT

Modular staircase with central spar and 80 cm wide varnished beech steps

ADVANTAGES

- strong 80 cm wide treads made of massive beech 35 mm thick
- all wooden parts with lacquered finish (beech or walnut stained beech)
- extra strong central spar
- easy high adjustment from rise 18,5 to 24 cm
- 40 mm PVC handrail
- banister with three horizontal steel wires
- all metal parts high quality powder coated in silver

OPTIONS

- extension element for floor to floor height up to 366 cm (13 steps / 14 rises)
- full second railing
- straight landing banister



TECHNICAL DESCRIPTION

material	solid beech, stainless steel, PVC-handrail
number of steps	12
step width	80 cm
width of staircase	85 cm (incl. one side banister)
floor-to-floor-height	max. 312 cm (with 13 rises)
minimum opening size	203 x 85 cm (at a ceiling thickness of 25 cm)
item number	beech: 29505 walnut: 23990

STYLE

system staircase with
steel wire balustrade

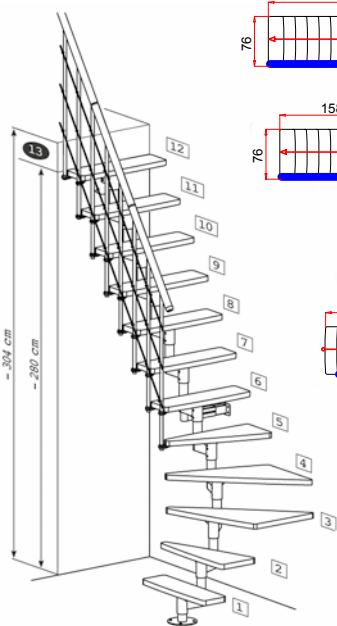
ADVANTAGES

- solid beech wood treads with a thickness of 35 mm with high quality lacquered finish
- solid beech wood handrail
- all steel parts with high-quality powder coating
- strong powder coated aluminium banister with three steel wires

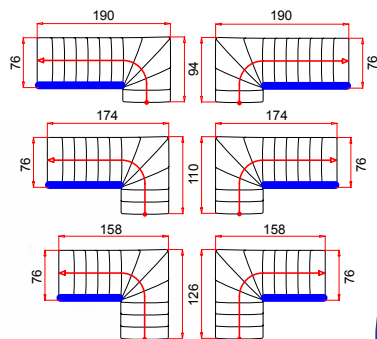
OPTIONS

- all metal parts powdercoated in white
- 2nd banister (full length)
- straight landing banister (per meter)

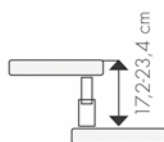
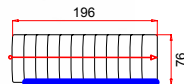
assembling
variations



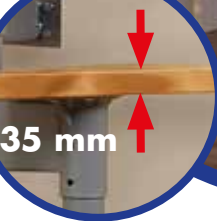
8	137 - 187 cm
9	155 - 210 cm
10	172 - 234 cm
11	189 - 257 cm
12	206 - 280 cm
13	224 - 304 cm



Option



35 mm



TECHNICAL DESCRIPTION

material	treads and handrail solid beech with lacquered finish steel step supports and railing rods high quality powder coated stainless steel banister wires	
number of steps	12	
step width	70 cm	
staircase width	76 cm (incl. one side banister)	
floor-to-floor-height	Max. 304 cm (with 13 rises)	
minimal opening size	165 x 76 cm (at a ceiling thickness of 250 mm)	
item number	1/4 winded	beech: 29360 walnut: 29368
	straight	beech: 29370 walnut: 29378

MONACO

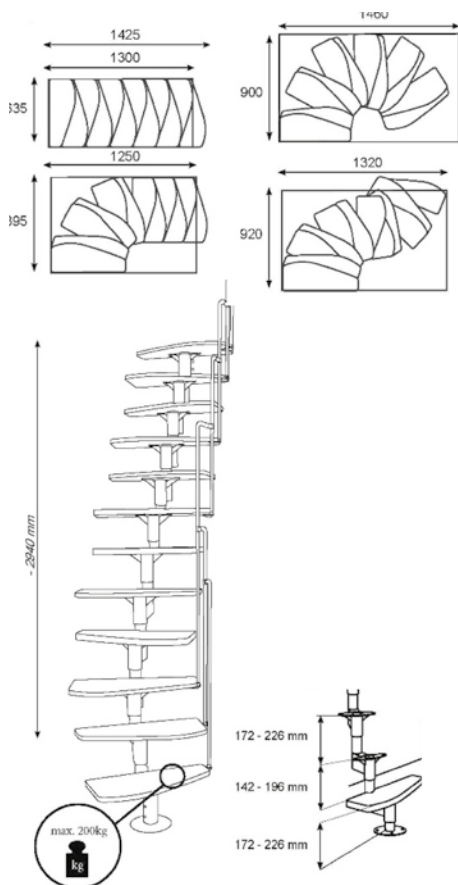
space saving staircase with massive beech treads

ADVANTAGES

- 'soft-design' treads made of 30 mm beech with lacquered finish
- extremely space saving staircase for smallest opening sizes
- steel banister
- all steel parts with high quality powder coating

OPTIONS

- treads in beech walnut stained
- all metal parts powder coated in white
- 2nd banister
- high extension element (2.940 to 3.150 m)
- straight landing banister (per meter)



TECHNICAL DESCRIPTION

material	beech treads 30 mm thick with lacquered finish all metal parts high quality powder coated (silver)	
number of steps	12	
step width	60 cm	
width of staircase	63 cm	
floor-to-floor-height	Max. 294 cm	
with extension element	Max. 315 cm (see options)	
minimal opening size	130 x 63 cm with banister (at a ceiling thickness 250 mm)	
item number	beech silver: 27311	beech white: 27321
	walnut silver: 27312	walnut white: 27322

TWISTER

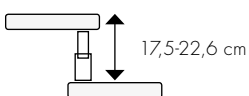
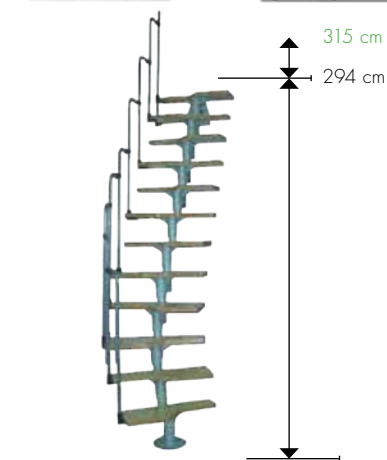
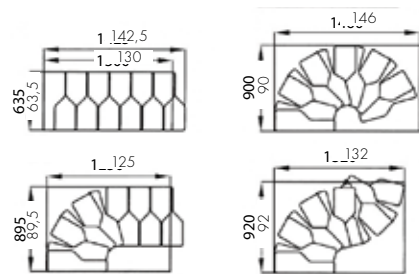
space saving staircase for smallest opening sizes

ADVANTAGES

- 'soft-design' treads made of birch multiplex with lacquered finish
- extremely space saving staircase for smallest opening sizes
- steel banister
- all steel parts with high quality powder coating

OPTIONS

- treads in solid beech
- 2nd banister
- high extension element (2.940 to 3.150 m)
- straight landing banister (per meter)



TECHNICAL DESCRIPTION

material	birch-multiplex or optional beech treads with lacquered finish all metal parts high quality powder coated (silver)	
number of steps	12	
step width	60 cm	
width of staircase	63 cm	
floor-to-floor-height	Max. 294 cm	
with extension element	Max. 315 cm (see options)	
minimal opening size	130 x 63 cm with banister (at a ceiling thickness 25 cm)	
item number	birch multiplex:	27305
	beech:	27310

FLEXIBLO

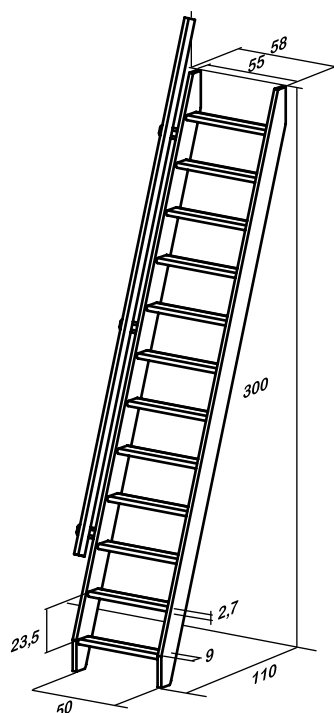
extremely space saving stringer stair,
massive spruce (not varnished)

ADVANTAGES

- spruce nature leave (not varnished)
- extremely space saving
- for smallest opening size (50 x 55 cm)
- can be slide to the wall
- milled and screwed steps for more safety
- 27 mm strong stringers and steps

OPTIONS

- one side banister
- 2nd banister



TECHNICAL DESCRIPTION

material	spruce not varnished
number of steps	12
width of staircase	55 cm
floor-to-floor-height	Max. 300 cm
minimal opening size	50 x 55 cm
item number	28340

BORAS

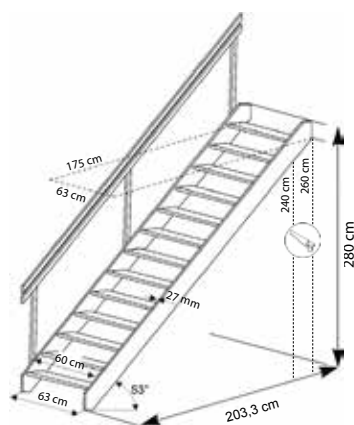
massive spruce
stringer stair

ADVANTAGES

- spruce nature leave (not varnished)
- extremely space saving for minimum opening size 175 x 63 cm
- milled and screwed steps for more safety
- 27 mm strong stringers and steps
- Easy high adjustment
- equipped with one-side banister

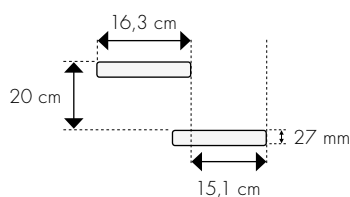
OPTIONS

- 2nd banister



TECHNICAL DESCRIPTION

material	spruce not varnished
number of steps	13
step width	54 cm
width of staircase	63 cm with banister
floor-to-floor-height	Max. 280 cm
minimal opening size	140 x 63 cm with banister
	140 x 60 cm without banister (at ceiling high 30 cm)
item number	28230



SOFTLINE

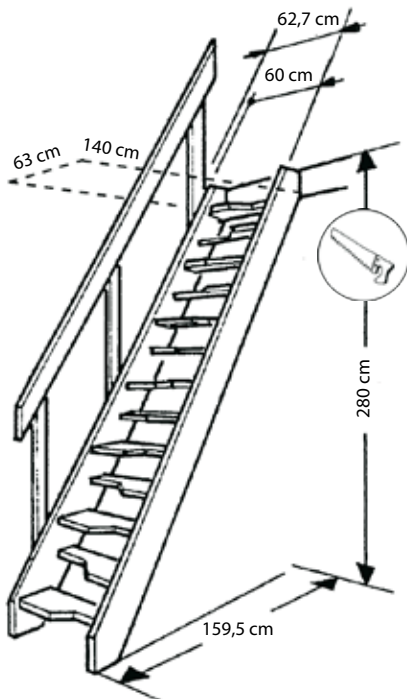
massive spruce stringer stair
with space saving design

ADVANTAGES

- spruce nature leave (not varnished)
- extremely space saving for minimum opening size 140 x 63 cm
- milled and screwed steps for more safety
- 27 mm strong stringers and steps
- Easy high adjustment
- equipped with one-side banister

OPTIONS

- 2nd banister



TECHNICAL DESCRIPTION

material	spruce not varnished
number of steps	13
step width	54 cm
width of staircase	63 cm with banister
floor-to-floor-height	Max. 280 cm
minimal opening size	140 x 63 cm with banister 140 x 60 cm without banister (at ceiling high 30 cm)
item number	28300

VENEZIA

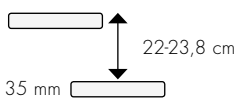
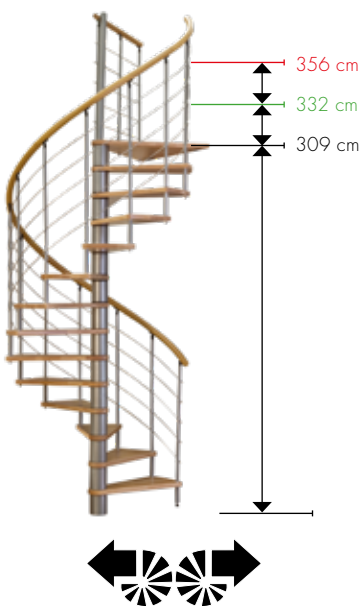
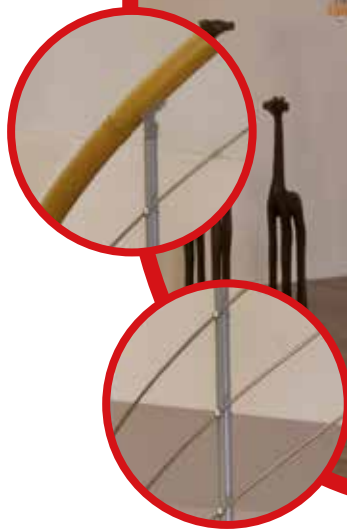
beech wood spiral stair
with wooden handrail and
steel wire banister

ADVANTAGES

- strong treads made of massive beech 35 mm thick with lacquered finish
- beech wood handrail 40 mm thick with lacquered finish
- banister with five horizontal steel wires
- all metal parts high quality powder coated in silver

OPTIONS

- Extension element for floor to floor height up to 356 cm
- all metal parts powder coated in black or white
- straight and round landing banister



TECHNICAL DESCRIPTION

material	steps and handrail massiv beech with lacquered finish banister with five steel wires 6 mm thick all metal parts high quality powder coated
number of steps	12 steps + 1 landing platform
adjustable rise	22 cm to 23,8 cm
Diameter	120 cm, 140 cm, 160 cm
floor-to-floor-height	Max. 309 cm
with extension element	Max. 356 cm (see option)
minimal opening size	120 cm, 140 cm, 160 cm
item number	Ø 120 cm 27801 Ø 140 cm 27802 Ø 160 cm 27803

VENEZIA WALNUT

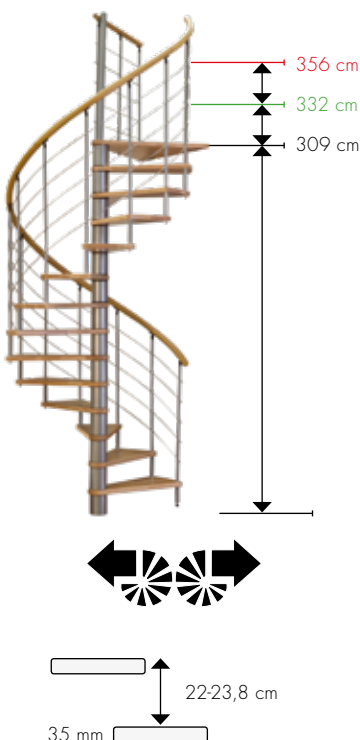
walnut stained beech wood spiral stair with wooden handrail

ADVANTAGES

- strong treads made of massive walnut stained beech 35 mm thick with lacquered finish
- walnut stained beech wood handrail 40 mm thick with lacquered finish
- banister with five horizontal steel wires
- all metal parts high quality powder coated in silver

OPTIONS

- metalparts powder coated in silver or white
- extension element for floor to floor height up to 356 cm
- straight and round landing



TECHNICAL DESCRIPTION

material	steps and handrail massive walnut stained beech with lacquered finish banister with five steel wires (diameter: 6 mm) all metal parts high quality powder coated
number of steps	12 steps + 1 landing platform
adjustable rise	22 cm to 23,8 cm
Diameter	120 cm, 140 cm, 160 cm
floor-to-floor-height	Max. 309 cm
with extension element	Max. 356 cm (see option)
minimal opening size	120 cm, 140 cm, 160 cm
item number	Ø 120 cm 27971 Ø 140 cm 27972 Ø 160 cm 27973

VENEZIA WHITE

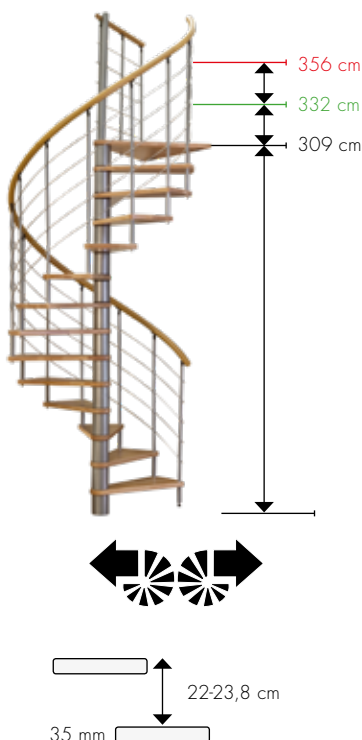
White beech wood spiral stair
with wooden handrail and
steel wire banister

ADVANTAGES

- strong treads made of massive beech 35 mm thick with white lacquered finish
- beech wood handrail 40 mm thick with white lacquered finish
- banister with five horizontal steel wires
- all metal parts high quality powder coated in silver

OPTIONS

- Extension element for floor to floor height up to 356 cm
- all metal parts powder coated in white
- straight and round landing banister



TECHNICAL DESCRIPTION

material	steps and handrail massive beech with white lacquered finish banister with five steel wires (diameter: 6 mm) all metal parts high quality powder coated
number of steps	12 steps + 1 landing platform
adjustable rise	22 cm to 23,8 cm
Diameter	120 cm, 140 cm, 160 cm
floor-to-floor-height	Max. 309 cm
with extension element	Max. 356 cm (see option)
minimal opening size	120 cm, 140 cm, 160 cm
item number	Ø 120 cm 27961 Ø 140 cm 27962 Ø 160 cm 27963

SPIRAL WOOD

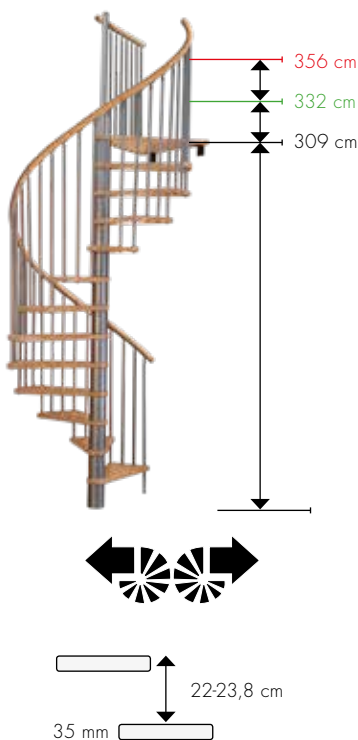
massive beech wood spiral stair
with beech wood handrail

ADVANTAGES

- strong treads made of massive beech 35 mm thick with lacquered finish
- beech wood handrail 40 mm thick with lacquered finish
- all metal parts high with quality powder coating in silver or black

OPTIONS

- steps and handrail in massive oak
- extension element for floor to floor height up to 3.560 mm
- straight and round landing banister



TECHNICAL DESCRIPTION

material	steps and handrail made of massive beech with lacquered finish all metal parts powder coated in silver or black		
number of steps	12 steps + 1 landing platform		
Diameter	120 cm, 140 cm, 160 cm		
floor-to-floor-height	Max. 309 cm		
with extension element	Max. 356 cm (see option)		
minimal opening size	120 cm, 140 cm, 160 cm		
item number	Ø 120 cm	silver 27661	black 27272
	Ø 140 cm	silver 27662	black 27273
	Ø 160 cm	silver 27663	black 27274

SPIRAL DECOR

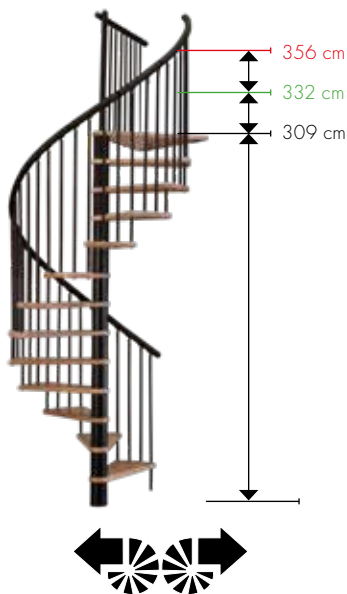
massive beech wood
spiral stair

ADVANTAGES

- strong treads made of massive beech 35 mm thick with lacquered finish
- all metal parts high with quality powder coating in black or silver
- equipped with aluminium handrail with wood decoration powder coating

OPTIONS

- all metal parts powder coated in silver
- extension element for floor to floor height up to 356 cm
- straight and round landing banister
- treads in massive



TECHNICAL DESCRIPTION

material	steps massiv beech with lacquered finish all metal parts high quality powder coated in black or optional in silver, alu-handrail with wood decoration									
number of steps	12 steps + 1 landing platform									
Diameter	120 cm, 140 cm, 160 cm									
floor-to-floor-height	Max. 309 cm									
with extension element	Max. 356 cm (see options)									
minimal opening size	120 cm, 140 cm, 160 cm									
item number	<table border="0"> <tr> <td>Ø 120 cm</td> <td>black: 27272</td> <td>silver: 27651</td> </tr> <tr> <td>Ø 140 cm</td> <td>black: 27273</td> <td>silver: 27652</td> </tr> <tr> <td>Ø 160 cm</td> <td>black: 27274</td> <td>silver: 27653</td> </tr> </table>	Ø 120 cm	black: 27272	silver: 27651	Ø 140 cm	black: 27273	silver: 27652	Ø 160 cm	black: 27274	silver: 27653
Ø 120 cm	black: 27272	silver: 27651								
Ø 140 cm	black: 27273	silver: 27652								
Ø 160 cm	black: 27274	silver: 27653								

SPIRAL EFFECT

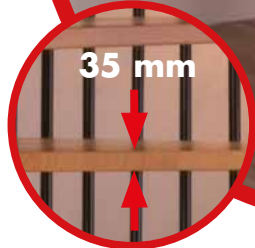
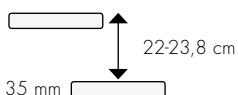
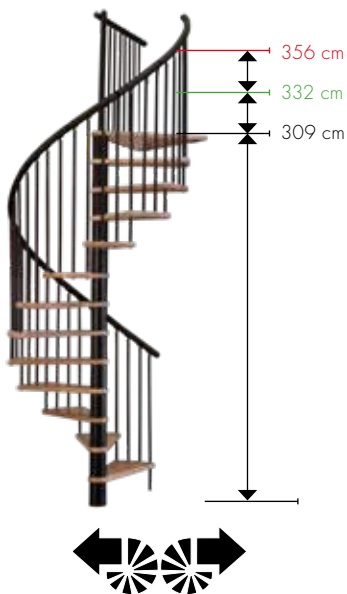
massive beech wood
spiral stair

ADVANTAGES

- strong treads made of massive beech 35 mm thick with lacquered finish
- all metal parts high with quality powder coating in black or silver
- equipped with powder coated aluminium handrail

OPTIONS

- all metal parts powder coated in silver or white
- extension element for floor to floor height up to 356 cm
- straight and round landing banister
- treads in massive oak



TECHNICAL DESCRIPTION

material	steps and handrail massiv beech with lacquered finish all metal parts high quality powder coated in black or optional in silver or white		
number of steps	12 steps + 1 landing platform		
Diameter	120 cm, 140 cm, 160 cm		
floor-to-floor-height	Max. 309 cm		
with extension element	Max. 356 cm (see options)		
minimal opening size	120 cm, 140 cm, 160 cm		
item number	black	silver	white
Ø 120 cm	27601	27631	27621
Ø 140 cm	27602	27632	27622
Ø 160 cm	27603	27633	27623

WAVE PLUS

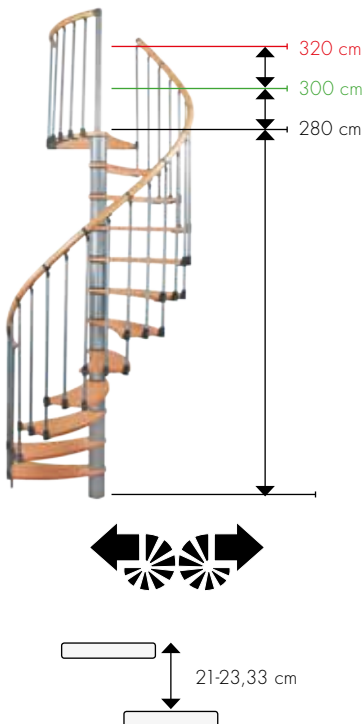
space saving spiral stair
with curved steps

ADVANTAGES

- solid beech wood treads or birch multiplex treads with high quality lacquered finish
- Aluminium handrail with wood effect powder coating
- all steel parts with highquality powder coating

OPTIONS

- high extension element (2.800 to 3.200 m)
- straight landing banister (per meter)
- round landing banister (per meter)



TECHNICAL DESCRIPTION

	Wave Plus Beech	Wave Plus Birch
material	massive beech treads with lacquered finish, all metal parts powder coated in silver, Aluminium handrail with wood decor powder coating	massive birch multiplex treads with lacquered finish, all metal parts powder coated in silver, Aluminium handrail powder coated in silver
number of steps	11 steps + 1 podest	11 steps + 1 podest
floor-to-floor-height	Max. 280 cm	Max. 280 cm
with extension element	Max. 320 cm	Max. 320 cm
minimal opening size	140 cm	140 cm
item number	27280	27275

PARIS

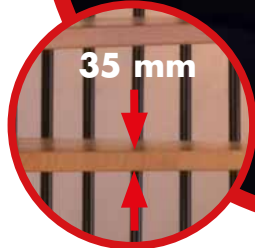
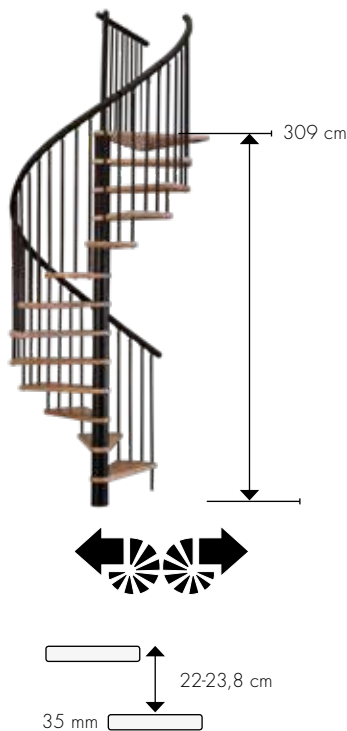
beech wood spiral staircase

ADVANTAGES

- strong treads made of massive beech 35 mm thick with lacquered finish
- all metal parts with high quality powder coating in black
- equipped with powder coated handrail
- easy high adjustment with spacer

OPTIONS

- straight and round landing banister



TECHNICAL DESCRIPTION

material	massiv beech steps with high quality lacquered finish all metal parts powder coated in black
number of steps	12 steps + 1 podest
diameter	140 cm
floor-to-ceiling-height	max. 309 cm
minimal opening size	140 x 145 cm
item number	27582

RONDO COLOR

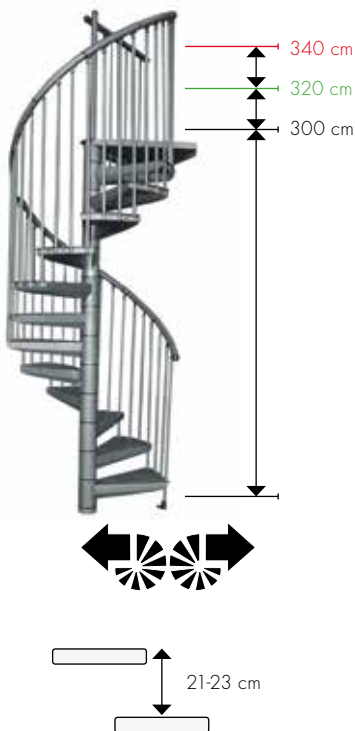
interior steel staircase

ADVANTAGES

- profiled anti-slip punch steps
- all steel parts powder coated
- left- and right turn assembling possible
- platform banister enclosed
- aluminium handrail with high quality powder coating

OPTIONS

- extension element for floor to floor height up to 340 cm
- straight and round landing banister
- special landing platform



TECHNICAL DESCRIPTION

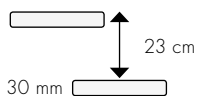
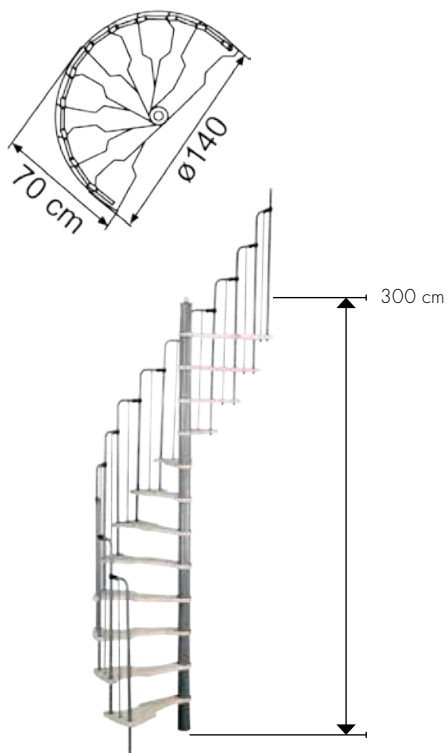
material	all steel and aluminium parts high quality powder coated						
number of steps	12 steps + 1 landing platform						
Diameter	120 cm / 140 cm / 160 cm						
floor-to-floor-height	Max. 300 cm						
with extension element	Max. 340 cm (see options)						
minimal opening size	125 cm, 145 cm, 165 cm						
item number	<table border="0"> <tr> <td>Ø 120 cm</td> <td>27500</td> </tr> <tr> <td>Ø 140 cm</td> <td>27501</td> </tr> <tr> <td>Ø 160 cm</td> <td>27502</td> </tr> </table>	Ø 120 cm	27500	Ø 140 cm	27501	Ø 160 cm	27502
Ø 120 cm	27500						
Ø 140 cm	27501						
Ø 160 cm	27502						

METALLICA

space saving spiral stair
for smallest opening sizes

ADVANTAGES

- extremely space saving staircase for smallest opening sizes
- birch multiplex treads with lacquered finish
- all metal parts with high quality powder coating
- steel handrail Technical



TECHNICAL DESCRIPTION

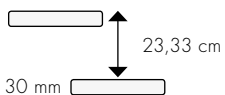
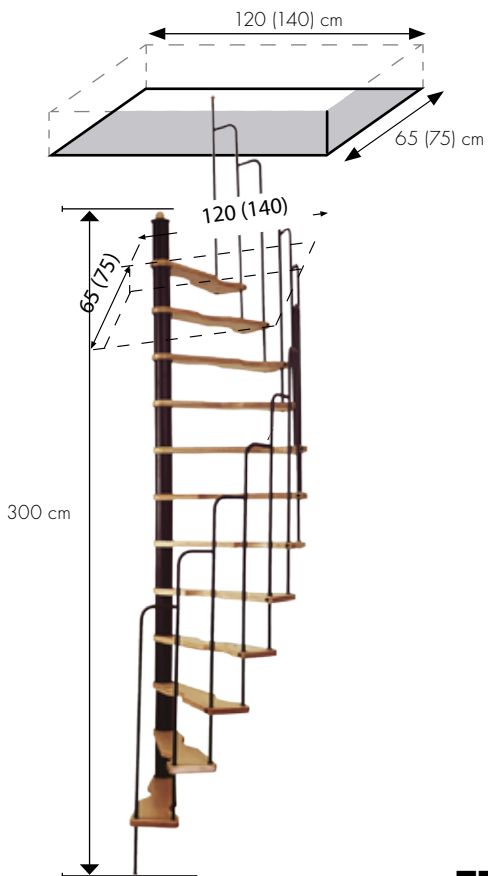
material	steps: birch-multiplex with lacquered finish metal parts: powder-coat RAL 9006 (silver)
number of steps	12
floor-to-floor-height	Max. 300 cm
minimal opening size	140 x 70 cm
item number	27260

SUONO

mini spiral staircase
with lacquered finish

ADVANTAGES

- extremely space saving staircase for smallest opening sizes
- birch multiplex treads with lacquered finish
- all metal parts with high quality powder coating
- steel handrail Technical



TECHNICAL DESCRIPTION

material	birch-multiplex treads with lacquered finish all metal parts with high quality powder coating in black	
number of steps	12	
floor-to-floor-height	Max. 300 cm	
minimal opening size	120 x 65 cm, 140 x 75 cm	
item number	120 x 65 cm	27100
	140 x 75 cm	27101

RONDO ZINK PLUS

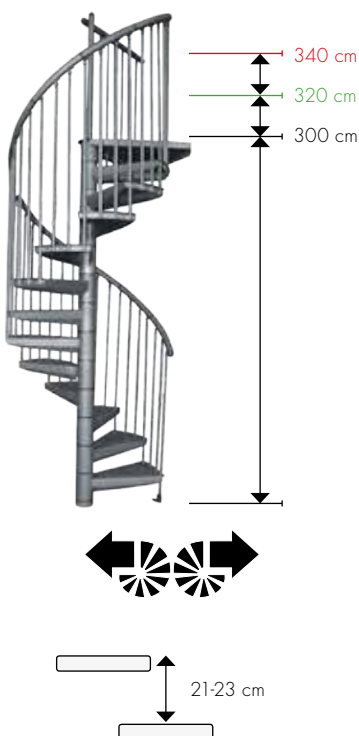
galvanised steel staircase for
in-door and out-door use

ADVANTAGES

- profiled anti-slip punch steps
- all steel parts galvanised
- left- and right turn assembling possible
- platform banister enclosed
- aluminium handrail with high quality powder coating

OPTIONS

- extension element for
- floor to floor height up to 340 cm
- straight and round landing banister
- special landing platform



TECHNICAL DESCRIPTION

material	all steel parts hot galvanised / all aluminium parts high quality powder coated	
number of steps	12 steps + 1 landing platform	
Diameter	120 cm / 140 cm / 160 cm	
floor-to-floor-height	Max 300 cm	
with extension element	Max 340 cm (see options)	
minimal opening size	125 cm, 145, cm, 165 cm	
item number	Ø 120	27480
	Ø 140	27481
	Ø 160	27482

SUN STEP

galvanised straight steel staircase
for in-door and out-door use

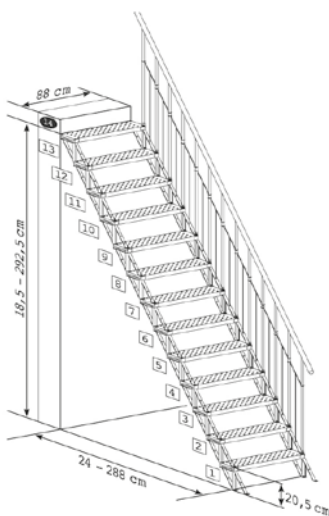
ADVANTAGES

- all steel parts hot galvanised
- flexible design, each tread extra packed and sold by piece
- anti-slip steel treads

OPTIONS

- steel banister with powder coated aluminium handrail sold per meter (for 3 steps)
- straight landing banister

1 18,5 – 22,5 cm	8 148 – 180 cm
2 37 – 45 cm	9 166,5 – 202,5 cm
3 55,5 – 67,5 cm	10 185 – 225 cm
4 74 – 90 cm	11 203,5 – 247,5 cm
5 92,5 – 112,5 cm	12 222 – 270 cm
6 111 – 135 cm	13 240,5 – 292,5 cm
7 129,5 – 157,5 cm	14 292,5 – 313 cm



TECHNICAL DESCRIPTION

material	all steel parts hot galvanised / all aluminium parts high quality powder coated	
number of steps	max. 13 steps possible	
step width	max. 13 steps possible	
floor-to-floor-height	78 cm	
rise of one step	max. 315 cm (13 steps / 14 rises)	
item number	18,5 cm - 22,5 cm	
	single tread	29801
	balustrade (1m)	29810
	mounting material (1 / staircase)	29802

TYPE 18 UNIVERS

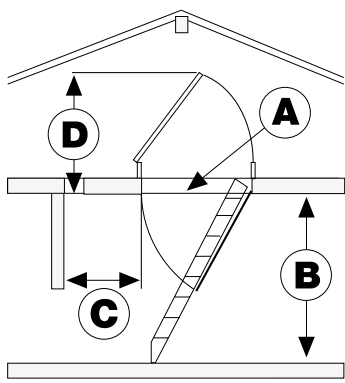
automatic
folding ladder

ADVANTAGES

- simply plug in: 220 230 or 110 Volt
- radio remote control – standard
- fire-restraining EI230 according to ÖNorm EN 1363, EN 1634, B3860
- insulated hatch with the thickness of 65 mm
- two all-around seals
- thermal separation of trim and frame
- steel frame with easy mounting system
- hidden hinges
- steel scissor ladder
- strong MDF frame 18 mm thick and 31 cm high
- equipped with protective floor pumps
- holds weight 150 kg

OPTIONS

- ISO-upper lid set
- height extension element: 290-315 cm
- telescopic handrail
- 2nd radio remote control
- hatch safety rail
- Blower-Door-Set



TECHNICAL DESCRIPTION

A rough opening size	frame size	B floor to ceiling height	C landing space	D manuel	C automatic	item No	upper lid
120/60	119/59/31	-290	58	165	106	21642	21610
120/70	119/69/31	-290	58	165	116	21641	21611
130/70	129/69/31	-290	48	165	116	21643	21612
140/70	139/69/31	-290	38	165	116	21645	21613

ARCTIC FIRE

fire resistant loft ladder with
160 mm insulation

ADVANTAGES

- fire resistant EI230 according to ÖNorm EN 1363, EN 1634, B3860
- extreme insulated hatch with the thickness of 160 mm
- three all-around seals
- airtight class 4
- thermal separation of trim and frame
- joint-loose powder coated steel cover
- steel frame with easy mounting system
- hidden hinges
- strong powder coated 3-section steel ladder
- equipped with steel safety hand rail and stair shoes
- holds weight 150 kg

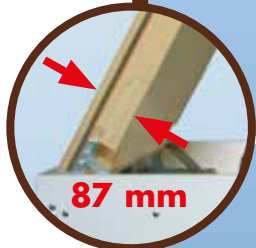
OPTIONS

- ISO-upper lid set (plus 87)
- hatch safety rail
- height extension element
- Blower-Door-Set

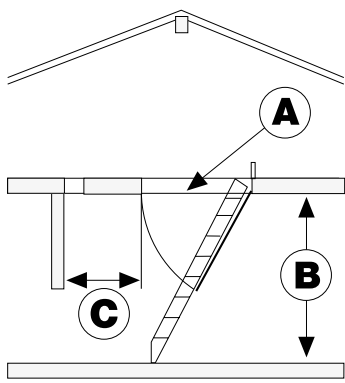
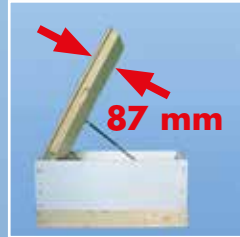
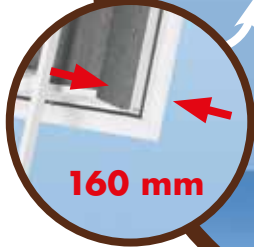


U-value
0,21 W/m²K

U-value
0,14 W/m²K
with upper lid



+ = 247 mm



TECHNICAL DESCRIPTION

A	frame size	B	B	C	item No	ISO-OD
rough opening size		floor to ceiling height	extension element *	landing space		Plus 87
110/70	109/69/45,5	-265	65	-290	22330	10912
120/60	119/59/45,5	-275	58	-300	22332	10913
120/70	119/69/45,5	-275	58	-300	22331	10914
130/70	129/69/45,5	-275	48	-300	22333	10916
140/70	139/69/45,5	-275	38	-300	22335	10918

* no upper lid set possible

TYPE 1 PASSIV PLUS

fire resistant high
insulated loft ladder

ADVANTAGES

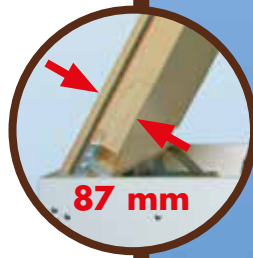
- fire-restraining EI260 according to ÖNorm EN 1363, EN 1634, B3860
- U-value 0,56 W/m²K
- air permeability class 4 according to Din EN 1026
- 105 mm strong insulated hatch
- thermal separation of trim and frame
- steel frame with easy mounting system
- Hidden hinges
- strong 3-section steel folding stairs
- strong MDF frame 18 mm thick and 455 mm high
- equipped with stair shoes and safety handrail
- holds weight 150 kg

OPTIONS

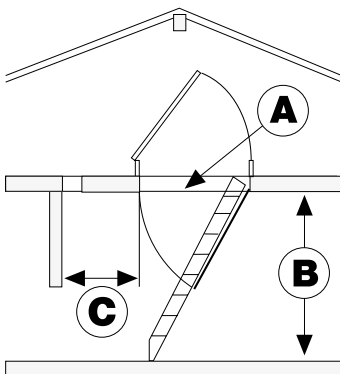
- ISO-upper lid set
- hatch safety rail
- height extension element
- Blower-Door-Set



OPTION



+ = 192 mm



TECHNICAL DESCRIPTION

A rough opening size	frame size	B floor to ceiling height	B extension element*	C landing space	item No	ISO-OD plus 87
110/70	109/69/45,5	-265	-290	60	21110	21100
120/70	119/69/45,5	-270	-295	50	21111	21101
130/70	129/69/45,5	-270	-295	40	21113	21103
140/70	139/69/45,5	-270	-295	30	21115	21105

* no upper lid set possible

EUROFIRE PROTECT

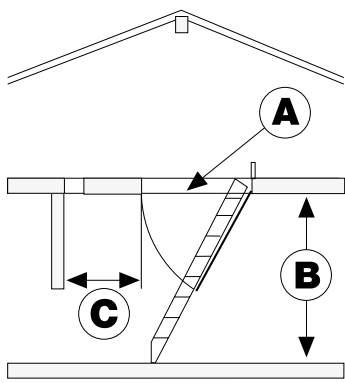
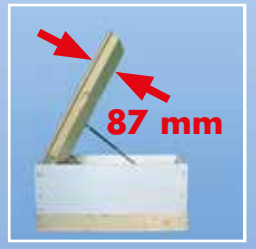
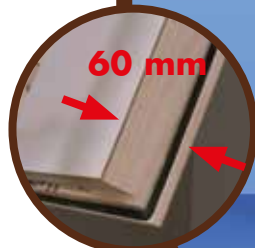
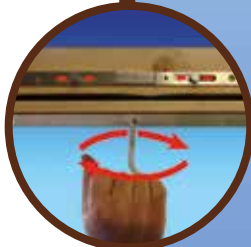
fire resistant wooden loft ladder

ADVANTAGES

- checked DIN EN 14975 (2007)
- fire-restraining EI230 according to ÖNorm EN 1368 and EN 1634
- U-value 0,667 W/m²K
- airtight class 4 (DIN EN 1026)
- 2-point turning lock
- insulated hatch with the thickness of 60 mm
- no joints on all around seal
- dove tail joint treads 27 mm thick
- strong massif-wooden frame with the thickness of 27 mm
- equipped with steel safety hand rail and stair shoes
- holds weight 150 kg

OPTIONS

- ISO-upper lid set (plus 87)
- paneling Minka Fix 27 mm
- hatch safety rail
- Blower-Door-Set



TECHNICAL DESCRIPTION

A	frame size	B	C	item No	ISO-OD plus 87
rough opening size		floor to ceiling heigh	landing space		
114/55*	113/54/13	-275	65	10601	10702
114/70	113/69/13	-275	65	10602	10703
120/60	119/59/13	-280	55	10603	10713
120/70	119/69/13	-280	55	10604	10714

* no safety handrail

TYPE 102 M

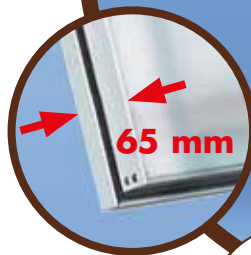
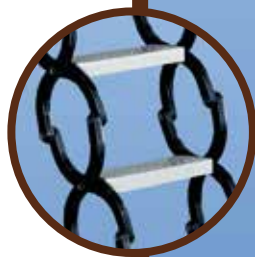
wall entrance EI30
with scissor stair

ADVANTAGES

- fire-restraining EI230 according to ÖNorm EN 1363, EN 1634, B3860
- suitable for vertically wall mounting
- 65 mm strong insulated door
- strong scissor stair
- holds weight 150 kg

OPTIONS

- fire rated 60 minutes (EI260)



TECHNICAL DESCRIPTION

rough opening length	rough opening width	frame length	frame width	room height	item No
90-140	70	89-139	69	-310	21080

POLAR TOP

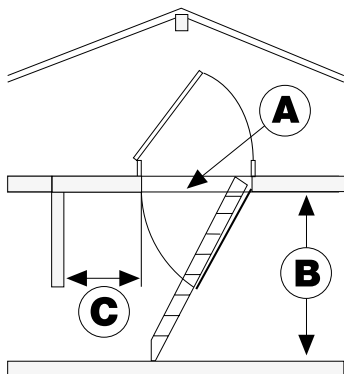
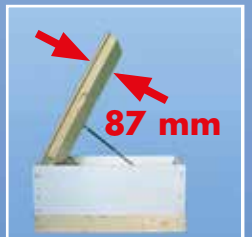
wooden loft ladder
with extreme insulated hatch

ADVANTAGES

- checked DIN EN 14975:2010
- tested U-value 0,4 W/m²K (lft Rosenheim Nr: 12-00646-PRO5)
- tested U-value with ISO-upper lid set 0,32 W/m²K (lft Rosenheim Nr: 12-00646-PRO5)
- airtight class 4 (DIN EN 1026)
- 2-point turning lock
- insulated hatch with the thickness of 133 mm
- two jointless all around seals
- dove tail joint treads 27 mm thick
- strong massiv-wooden frame with the thickness of 35 mm
- equipped with steel safety hand rail and stair shoes
- holds weight 150 kg

OPTIONS

- ISO-upper lid set (plus 87)
- paneling Minka Fix 18 mm
- hatch safety rail
- Blower-Door-Set



TECHNICAL DESCRIPTION

A	frame size	B	C	item No	ISO-OD plus 87
rough opening size		floor to ceiling height	landing space		
120/60	119/59/14,3	-275	55	10633	10713
120/70	119/69/14,3	-275	55	10634	10714
130/70	129/69/14,3	-275	45	10636	10716
140/70	139/69/14,3	-275	35	10638	10718

POLAR EXTREM

wooden loft ladder
with extreme insulation

ADVANTAGES

- checked DIN EN 14975 (2007)
- tested U-value 0,59 W/m²K (Ift Rosenheim Nr: 12-00646-PRO4)
- tested U-value with ISO-upper lid set 0,37 W/m²K (Ift Rosenheim Nr: 12-00646-PRO3)
- airtight class 4 (DIN EN 1026)
- 2-point turning lock
- insulated hatch with the thickness of 87 mm
- no joints on all around seal
- dove tail joint treads 27 mm thick
- strong massiv-wooden frame with the thickness of 27 mm
- equipped with steel safety hand rail and stair shoes
- holds weight 150 kg

OPTIONS

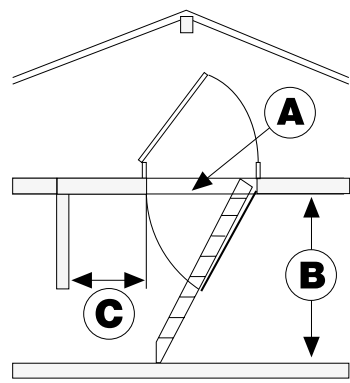
- ISO-upper lid set (plus 87)
- panelling Minka Fix 27 mm
- hatch safety rail
- Blower-Door-Set



tested
U-value
0,59 W/m²K



U-value
0,37 W/m²K
tested with
upper lid



TECHNICAL DESCRIPTION

A	frame size	B	C	item No	ISO-OD Plus 87
rough opening size		floor to ceiling height	landing space		
114/55*	113/54/13	-275	65	10651	10702
114/70	113/69/13	-275	65	10652	10703
120/60	119/59/13	-280	55	10653	10713
120/70	119/69/13	-280	55	10654	10714
130/70	129/69/13	-280	45	10656	10716
140/70	139/69/13	-280	35	10658	10718

* no safety handrail possible

EURO TREND PROFI

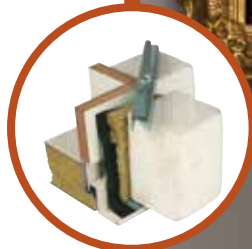
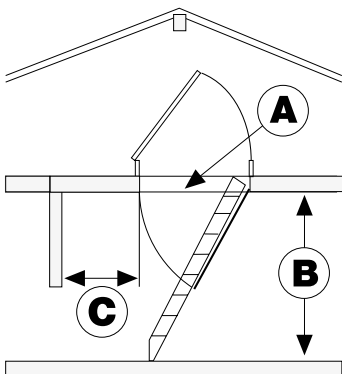
wooden loft ladder with extreme insulation, steel frame and easy mounting system

ADVANTAGES

- checked DIN EN 14975:2010
- tested U-value 0,59 W/m²K (lft Rosenheim Nr: 12-00646-PRO4)
- tested U-value with ISO-upper lid set 0,37 W/m²K (lft Rosenheim Nr: 12-00646-PRO3)
- airtight class 4 (DIN EN 1026)
- steel frame with easy mounting system
- 2-point turning lock
- insulated hatch with the thickness of 87 mm
- no joints on all around seal
- dove tail joint steps 27 mm thick
- strong MDF-frame with the thickness of 18 mm
- equipped with steel safety hand rail and stair shoes
- holds weight 150 kg

OPTIONS

- ISO-upper lid set (plus 87)
- hatch safety rail
- Blower-Door-Set



TECHNICAL DESCRIPTION

A	frame size	B	C	item No	ISO-OD plus 87
rough opening size		floor to ceiling height	landing space		
120/60	119/59/17	-280	55	10613	10713
120/70	119/69/17	-280	55	10614	10714

POLAR 60

wooden loft ladder with strong insulated hatch

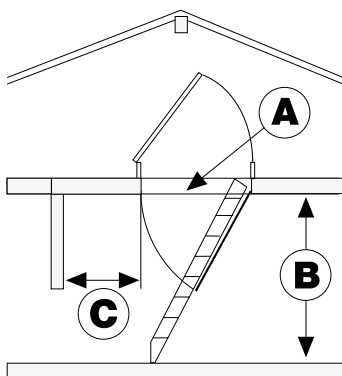
ADVANTAGES

- checked DIN EN 14975 (2007)
- U-value 0,64 W/m²K
- airtight class 4 (DIN EN 1026)
- 2-point turning lock
- insulated hatch with the thickness of 60 mm
- no joints on all around seal
- dove tail joint treads 27 mm thick
- strong massiv-wooden frame with the thickness of 27 mm
- equipped with steel safety hand rail and stair shoes
- holds weight 150 kg

OPTIONS

- ISO-upper lid set (plus 87)
- paneling Minka Fix 27 mm
- hatch safety rail
- Blower-Door-Set

U-value
0,64 W/m²K



TECHNICAL DESCRIPTION

A	frame size	B	C	item No	ISO-OD Plus 87
rough opening size		floor to ceiling height	landing space		
86/70**	85/69/13	-275	50	10641	n.a.
114/55 **	113/54/13	-275	65	10642	10702
120/60	119/59/13	-280	55	10643	10713
120/70	119/69/13	-280	55	10644	10714
130/60	129/59/13	-280	45	10646	10716
140/70	139/69/13	-280	35	10648	10718

* 4-section ladder
** no safety handrail

EURO STAR

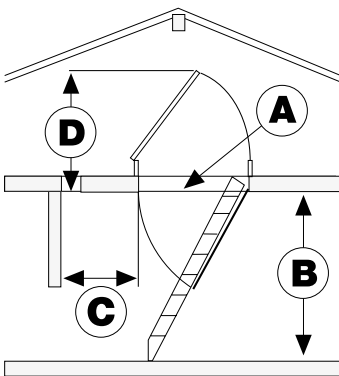
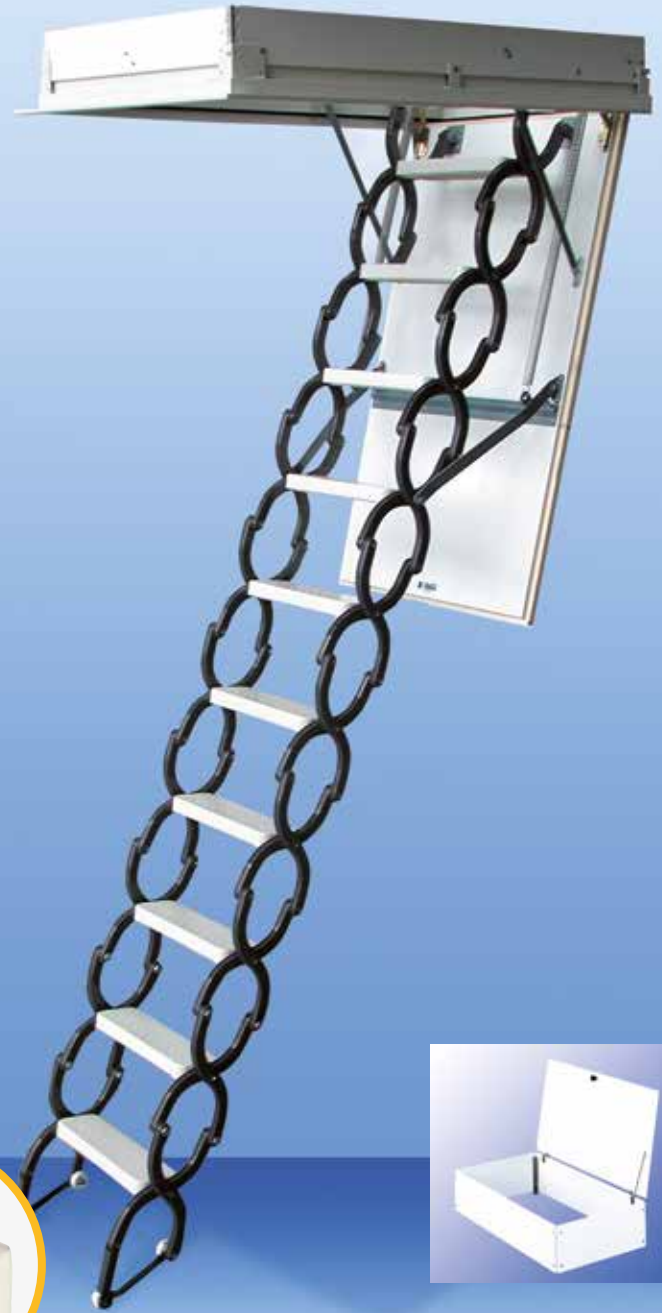
insulated scissor ladder
with quick installation system
and steel frame

ADVANTAGES

- checked DIN EN 14975 (2010)
- quick installation system
- steel frame
- insulated hatch 33 mm thick
- U-value 1,1 W/m²K
- no joints on all around seal
- hatch both sides white
- opener recessed in hatch
- white frame made of high quality MDF
- strong scissor stair
- completely assembled – ready to build in
- holds weight 150 kg

OPTIONS

- ISO-upper lid set (plus 87)
- telescopic safety handrail
- hatch safety rail
- Blower-Door-Set



TECHNICAL DESCRIPTION

A rough opening size	frame size	B floor to ceiling height	C landing space	D swivel range	item No	ISO-OD
90/60	89/59/17	-300	75	109	102713	102752
90/70	89/69/17	-300	75	99	10271	102751
100/70	99/69/17	-300	65	109	102716	102753
120/60	119/59/17	-300	45	99	10273	102754
120/70	119/69/17	-300	45	109	10274	102755

EURO TREND

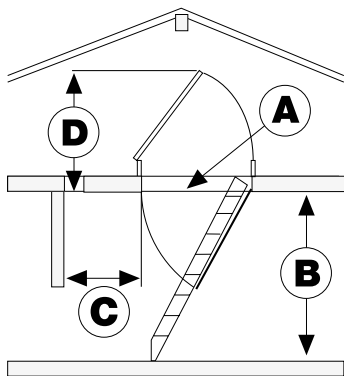
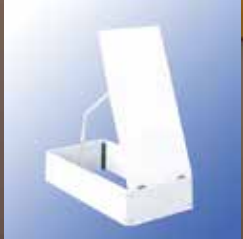
insulated wooden loft ladder with quick installation system and steel frame

ADVANTAGES

- checked DIN EN 14975 (2010)
- quick installation system
- steel frame
- insulated hatch 33 mm thick
- U-value 1,1 W/m²K
- no joints on all around seal
- hatch both sides white
- opener recessed in hatch
- white frame made of high quality MDF
- high durability by dove tail joint of treads
- special strong 27 mm treads
- steel safety handrail
- completely assembled –ready to build in
- holds weight 150 kg

OPTIONS

- ISO-upper lid set (plus 87)
- stair shoes
- hatch safety rail
- Blower-Door-Set



TECHNICAL DESCRIPTION

A	frame size	B	C	D	item No	ISO-OD
rough opening size		floor to ceiling height	landing space	swivel range		
110/70	109/69/17	-252	65	105	10252	10292
120/60	119/59/17	-280	55	95	10253	10293
120/70	119/69/17	-280	55	105	10254	10294
130/70	129/69/17	-280	45	105	10256	10296
140/70	139/69/17	-280	35	105	10258	10298

ELEGANCE

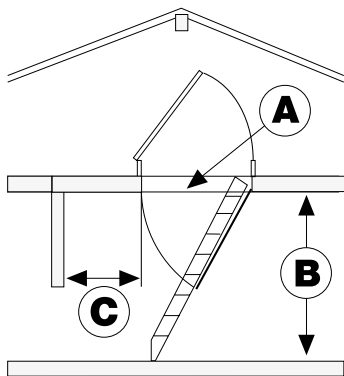
insulated loft ladder
with steel scissor stair

ADVANTAGES

- Checked DIN EN 14975 (2007)
- insulated loft ladder with insulated hatch 33 mm thick
- U-value 1,1 W/m²K
- no joints on all around seal
- hatch both sides white
- strong melamine finished MDF frame
- powder coated steel scissor ladder
- protective floor pumpers
- holds weight 150 kg

OPTIONS

- paneling Minka Fix 18 mm
- telescopic handrail
- hatch safety rail
- Blower-Door-Set



TECHNICAL DESCRIPTION

A	frame size	B	C	item No
rough opening size		floor to ceiling height	landing space	
90/60	89/59/13	-300	75	10231
90/70	89/69/13	-300	75	10232
120/60	119/59/13	-300	45	10233
120/70	119/69/13	-300	45	10234

STEEL

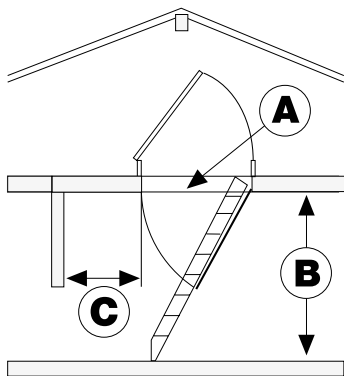
insulated 3-section steel folding ladder

ADVANTAGES

- checked DIN EN 14975 (2010)
- insulated hatch with a thickness of 33 mm
- U-value 1,1 W/m²K
- no joints on all around seal
- hatch both sides white
- white frame made of high quality MDF
- strong powder coated 3-section steel ladder
- equipped with steel safety hand rail and stair shoes
- holds weight 150 kg

OPTIONS

- ISO-upper lid set (plus 87)
- paneling Minka Fix 18 mm
- hatch safety rail
- Blower-Door-Set



TECHNICAL DESCRIPTION

A	frame size	B	C	item No	ISO-OD
rough opening size		floor to ceiling height	landing space		Plus 87
110/60	109/59/13	-280	65	10301	10721
110/70	109/69/13	-280	65	10302	10722
120/60	119/59/13	-280	55	10303	10723
120/70	119/69/13	-280	55	10304	10724



COMPLETE

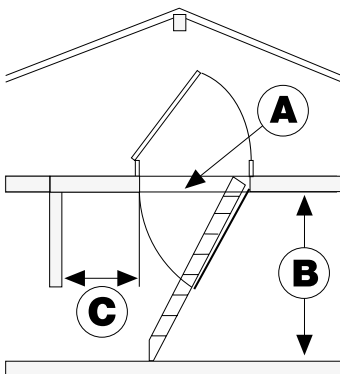
insulated loft ladder with wooden frame

ADVANTAGES

- checked DIN EN 14975 (2010)
- insulated loft ladder with insulated hatch 33 mm thick
- U-value 1,1 W/m²K
- no joints on all around seal
- hatch both sides white
- opener recessed in hatch
- strong solid wooden frame 27 mm thick
- special strong 27 mm steps
- steel safety handrail
- equipped with stair shoes
- completely assembled ready to be built in
- holds weight 150 kg

OPTIONS

- ISO-upper lid set (plus 87)
- paneling Minka Fix 27 mm
- hatch safety rail
- Blower-Door-Set



TECHNICAL DESCRIPTION

A	frame size	B	C	item No	ISO-OD
rough opening size		floor to ceiling height	landing space		Plus 87
110/60	109/59/13	-280	65	10341	10711
110/70	109/69/13	-280	65	10342	10712
120/60	119/59/13	-280	55	10343	10713
120/70	119/69/13	-280	55	10344	10714

TRADITION PLUS

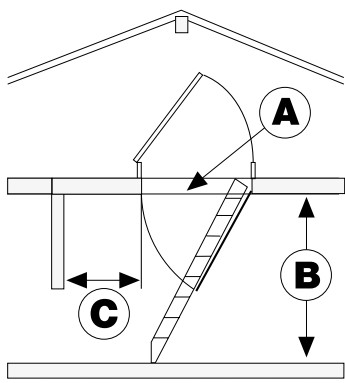
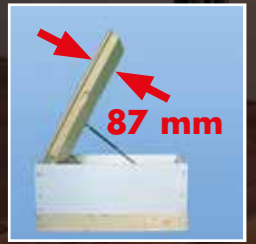
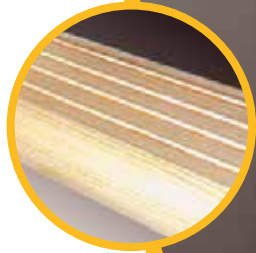
insulated wooden
loft ladder

ADVANTAGES

- checked DIN EN 14975 (2010)
- insulated hatch 33 mm thick
- U-value 1,1 W/m²K
- no joints on all around seal
- hatch both sides white
- white frame made of high quality MDF
- high durability by dove tail joint of treads
- special strong 27 mm treads
- equipped with steel safety handrail and stair shoes
- holds weight 150 kg

OPTIONS

- ISO-upper lid set (plus 87)
- paneling Minka Fix 18 mm
- hatch safety rail
- Blower-Door-Set



TECHNICAL DESCRIPTION

A rough opening size	frame size	B floor to ceiling height	C landing space	item No	ISO-OD Plus 87
1110/60	109/59/13	-280	65	10301	10721
110/70	109/69/13	-280	65	10302	10722
120/60	119/59/13	-280	55	10303	10723
120/70	119/69/13	-280	55	10304	10724
130/60	129/59/13	-280	45	10305	10725
130/70	129/69/13	-280	45	10306	10726
140/60	139/59/13	-280	35	10307	10727
140/70	139/69/13	-280	35	10308	10728

MC STEP

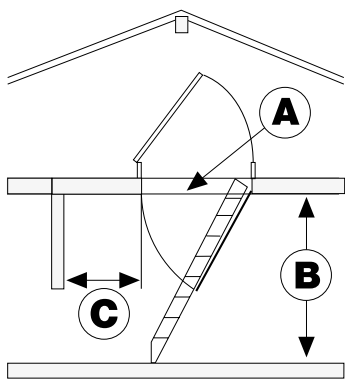
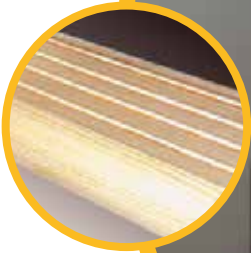
insulated wooden
loft ladder

ADVANTAGES

- checked DIN EN 14975 (2010)
- insulated hatch 33 mm thick
- U-value 1,1 W/m²K
- no joints on all around seal
- hatch both sides white
- white frame made of high quality MDF
- high durability by dove tail joint of treads
- special strong 27 mm treads
- holds weight 150 kg

OPTIONS

- ISO-upper lid set (plus 87)
- paneling Minka Fix 18 mm
- steel safety handrail
- stair shoes
- hatch safety rail
- Blower-Door-Set



TECHNICAL DESCRIPTION

A	frame size	B	C	item No	ISO-OD
rough opening size		floor to ceiling height	landing space		Plus 87
110/70	109/69/13	-280	65	30302	10722
120/60	119/59/13	-280	65	30303	10723
120/70	119/69/13	-280	55	30304	10724
140/70	139/69/13	-280	55	10308	10728

WALL DOOR

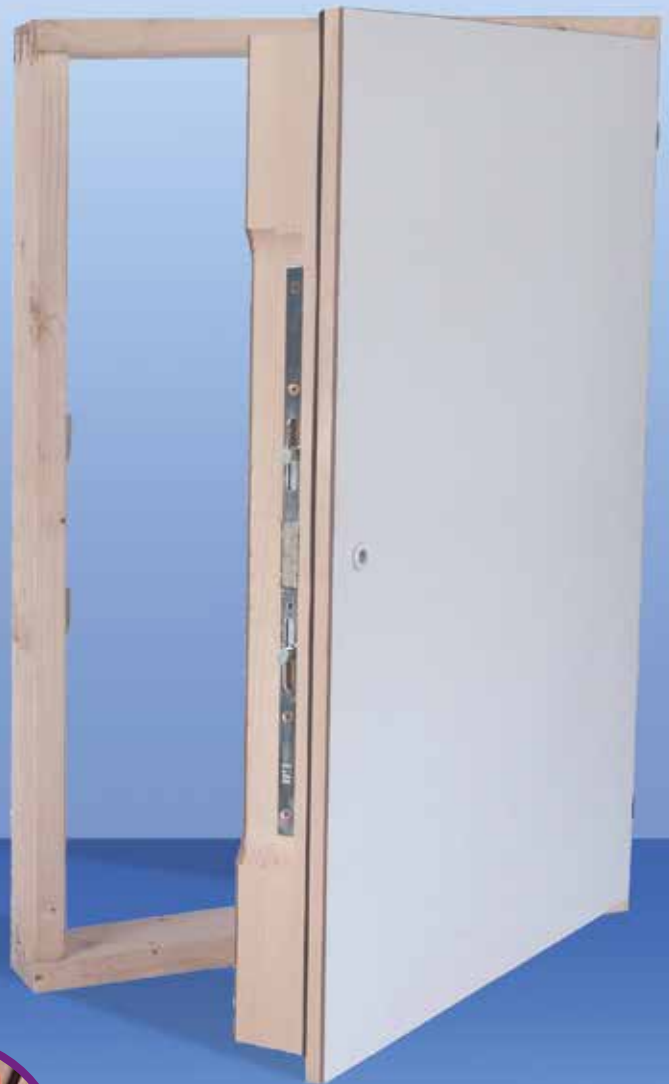
wooden wall door with
87 mm insulation

ADVANTAGES

- U-value 0,4 W/m²
- airtight class 4 (DIN EN 1026)
- 2-point turning lock
- insulated door with the thickness of 87 mm
- no joints on all around seal
- strong massif-wooden frame with a thickness of 27 mm

OPTIONS

- Blower-Door-Set
- fire-resistant EI260 according to ÖNorm EN 1363, EN 1634, B3860



TECHNICAL DESCRIPTION

rough opening size	frame size	item number not fire resistant	item number fire resistant EI ₂₆₀
80/55	79/54	10571	32481
110/55	109/54	10572	32483
60/60	59/59	10572	32482
70/70	69/69	10574	32484

① **PANELING
MINKA FIX
27 MM**

for all MINKA-loft ladders
with wooden frame

ADVANTAGES

- perfect connection to the ceiling
- easy mounting

item number: 10463

② **PANELING
MINKA FIX
18 MM**

for all MINKA-loft ladders
with MDF-frame

ADVANTAGES

- perfect connection to the ceiling
- easy mounting

item number: 10425

③ **SAFETY RAIL**

for 3-section loft ladders

ADVANTAGES

- sturdy metal construction for additional safety
- high quality powder coated item

item number: 10424

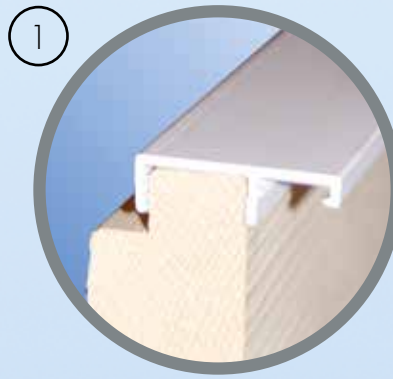
④ **STAIR SHOES**

plastic feet for wooden loft ladders

ADVANTAGE

- protection of the floor

item number: 10450



⑤ **TELESCOPIC HANDRAIL**

for all scissor loft ladders

ADVANTAGES

- sturdy metal construction for additional safety
- high quality powder coated

Item number: 10423



5

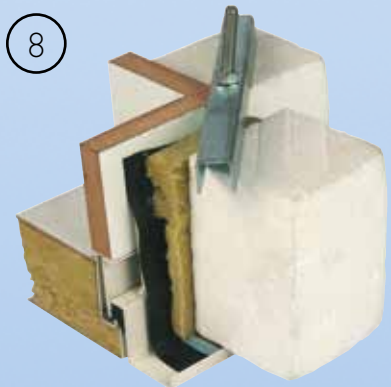
6



7



8



6 HATCH SAFETY RAIL

for all loft ladders up to a size of 140 x 70 cm

ADVANTAGES

- for additional safety
- metal parts with high quality powder coating
- stable wood-metal construction

item number: 10426

BLOWER DOOR SET

for 7 wooden and 8 metal loft ladders

ADVANTAGES

- perfect airtight connection
- easy mounting
- additional sealing for low-energy and passive houses
- blower-door tested

item number: wooden loft ladders 10452

metal loft ladders 22525

PLUS 87

extreme insulated
upper lid set

ADVANTAGES

- tested U-value 0,59 W/m²
- total U-value of loft ladder and upper lid set depends on insulation of loft ladder
- airtight class 4 (DIN EN 1026)
- very easy operation by gas pressure absorbers
- airtight closing system
- no joints on all around seal

TECHNIQUE

rough opening size	frame size	item No wood frame	item No MDF frame
114/44	113/43/37	10702	-
114/70	113/69/37	10703	-
120/54	119/53/37	10704	-
110/60	109/59/37	-	10721
110/70	109/69/37	-	10722
120/60	119/59/37	10713	10723
120/70	119/69/37	10714	10724
130/60	129/59/37	-	10725
130/70	129/69/37	10716	10726
140/60	139/59/37	-	10727
140/70	139/69/37	10718	10728

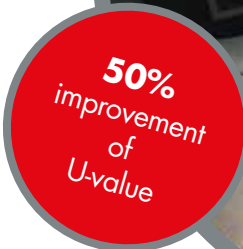


THERMO IGLU

ADVANTAGES

- thermal insulation for retrofit
- suitable for all common loft ladders
- easy to assemble in the attic

item number: 10750



No compromise on safety

All our products are tested and certified in accordance with the valid European standards for child safety gates by recognized testing institutes in Europe.

CHILD SAFETY GATES

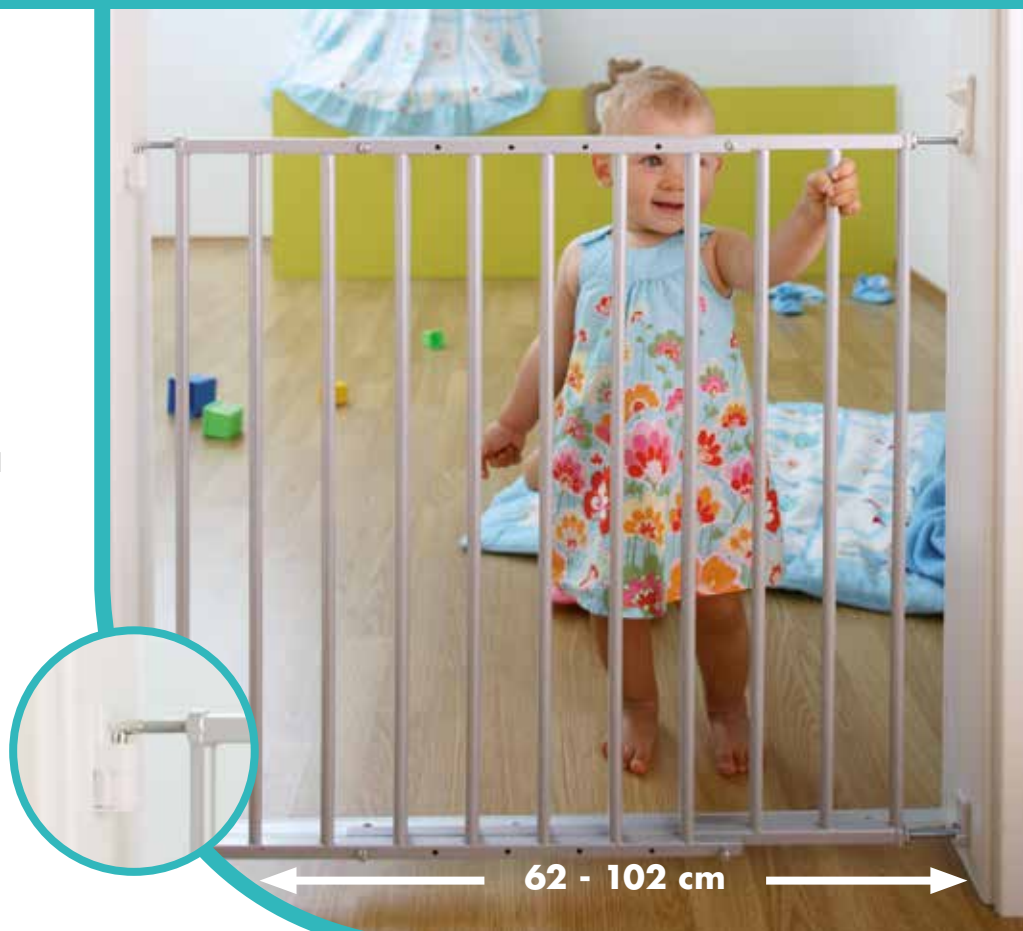


FELIX

powder coated steel
swing gate

ADVANTAGES

- quick release fittings i.e. once the gate is fitted it can be removed and put back in seconds without use of tools
 - no need of extensions
 - can be opened both ways
 - can be operated with one hand
 - fits openings from 62 to 102 cm
 - steel powder coated
 - checked EN 1930:2000
- item number: 40140



ERIK

wooden swing gate with high quality lacquered finish

ADVANTAGES

- wall mounted gate with an easy to open locking handle allowing the gate to be operated with one hand
 - fits openings between 79.5 to 114 cm
 - no need for extensions
 - 100% wood with lacquered finish
 - Standard: EN 1930:2000
- item number: 40130



ANNIKA

favourable wooden swing gate

ADVANTAGES

- fits openings between 71.5 to 109.5 cm (no extension elements needed)
 - 100% wood
 - Easy installation
 - Standard: EN 1930:2000
- item number: 40100



ELSA

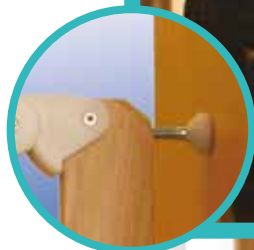
favourable clip gate
made of 100% wood

ADVANTAGES

- quick release fittings i.e. once the gate is fitted it can be removed and put back in seconds without the use of tools
- fits openings between 79.5 to 88 cm
- 100% wood
- Standard: EN 1930:2000
- item number: 40120

OPTION

- Wall support for swing gate installation



79,5 - 88 cm

77,5 - 85,5 cm

BRITT

wooden swing gate with
easy clip installation

ADVANTAGES

- Easy-close mechanism (self-closing mechanism)
- can be opened in both directions
- fits openings between 77.5 to 85.5 cm
- easy clip installation – new screws needed
- 100% wood
- Standard: EN 1930:2000
- item number: 40110

OPTIONEN

- Extension element 85.5 to 93.5 cm
- Extension element 93.5 to 101.5 cm



SPACE SAVING STAIRS – SPIRAL STAIRS – OUTDOOR STAIRS
LOFT LADDERS – CHILD SAFETY GATES

MINKA Holz- und Metallverarbeitungs GmbH
Flurgasse 6, 8642 St. Lorenzen im Mürztal
Austria/Europe

Tel: +43(0)3864/2238-0 Fax: DW -11

Email: office@minka.at

Minka knows
how to build stairs



HOTLINE for technical questions:

Monday to Saturday 7:00 a.m. to 8:00 p.m. (MEZ)

AUSTRIA 03864/2238-16

INTERNATIONAL +43 (0)3864/2238-7000